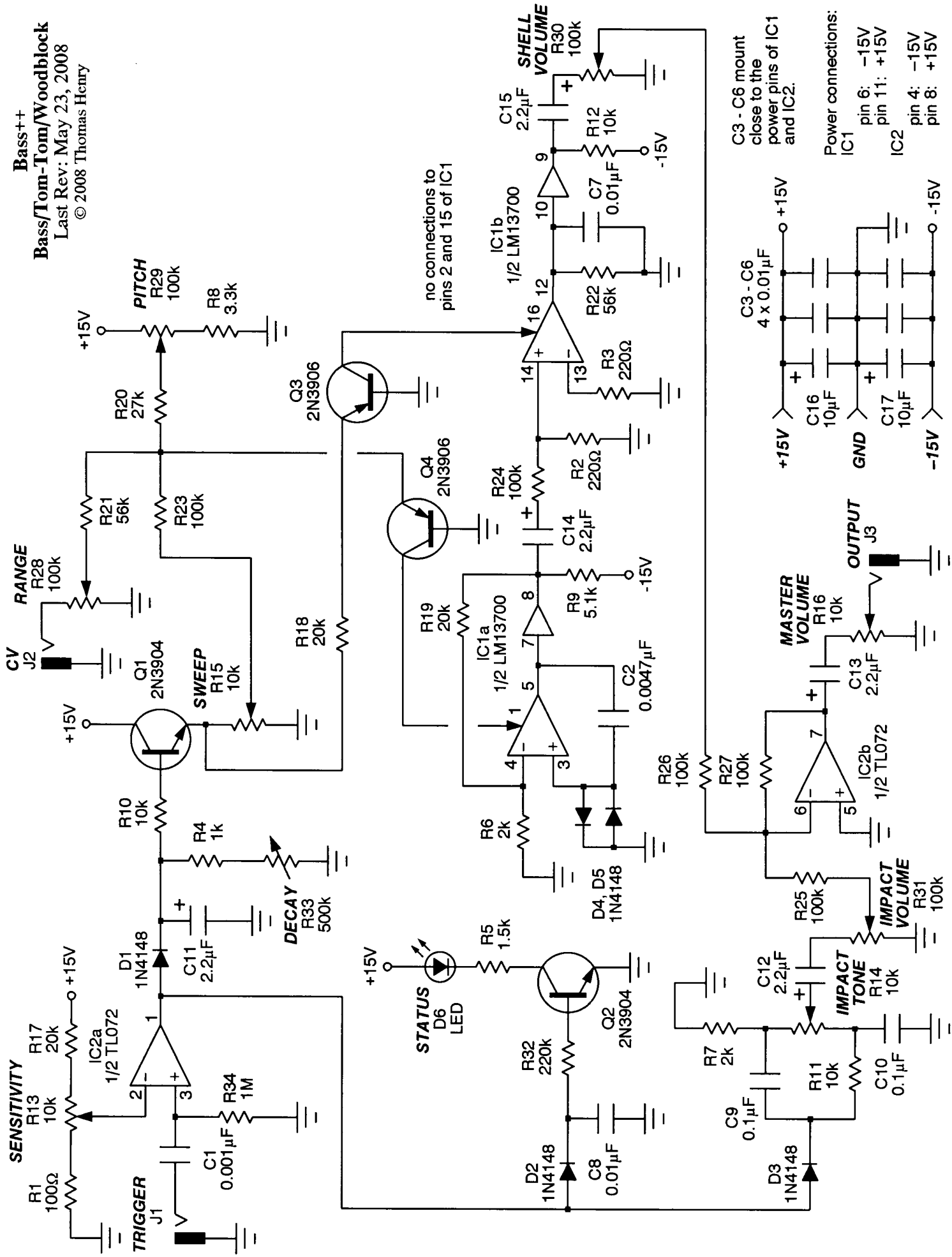


**Bass++**  
**Bass/Tom-Tom/Woodblock**  
 Last Rev: May 23, 2008  
 © 2008 Thomas Henry



C3 - C6 mount close to the power pins of IC1 and IC2.

Power connections:  
 IC1 pin 6: -15V  
 pin 11: +15V  
 IC2 pin 4: -15V  
 pin 8: +15V

no connections to pins 2 and 15 of IC1

