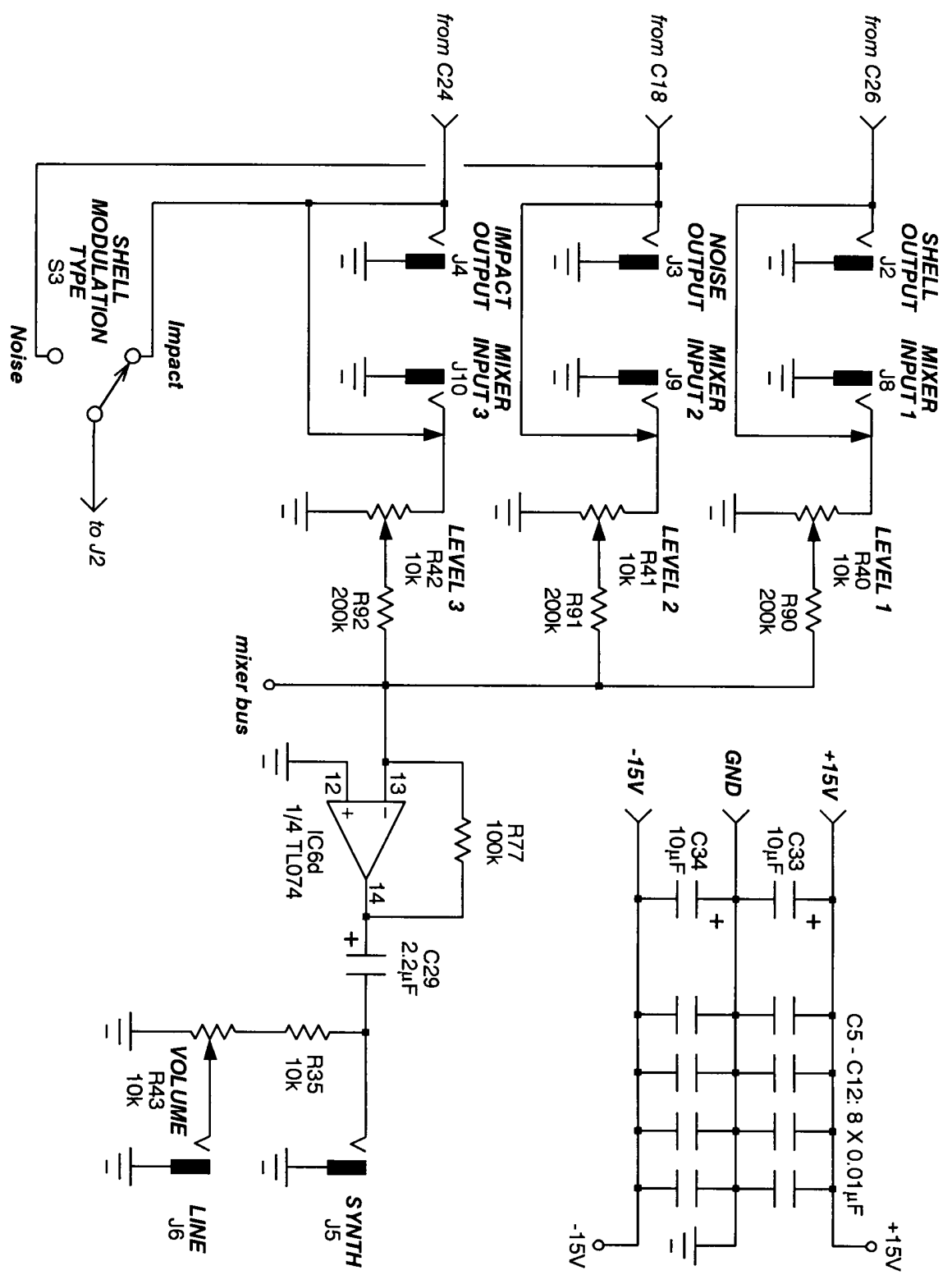


**LOOP SEND/RECEIVE**



Power connections:  
 IC1 - IC3  
 pin 6: -15V  
 pin 11: +15V  
 IC4, IC5  
 as shown  
 IC6  
 pin 11: -15V  
 pin 4: +15V  
 C5 - C12 mount  
 closely to the power  
 pins of IC1 - IC3 and  
 IC6.

**Mega Percussive Synthesizer  
 Mixer and Power Supply Sections**